

Garden Pump

STANDARD Series INOX

The STANDARD INOX pumps are with an automatic ejector system, find many uses in domestic applications, gardens and supply water from wells, and so on.

These pumps are suitable for clean water and chemically non-aggressive liquid. They are very reliable, safe and simple to use.

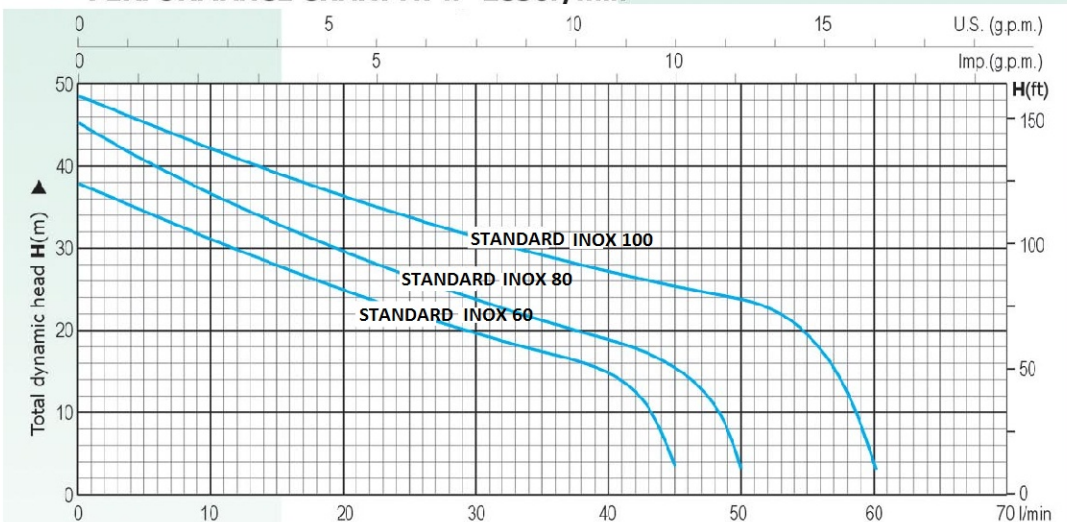
- **Pump body:** Cast iron
- **Impeller:** Brass (noryl if required)
- **Motor:** Closed, externally ventilated
- **Insulation class:** B (Class F if required)
- **Protection class:** IP44 / IP54
- **Duty:** Continuously rated
- **Mechanical seal:** $\phi 12$ ceramic steatite/graphite
- **Shaft:** Carbon steel AISI 1045 (Stainless steel AISI 420 if required)
- **Thermal Protector**



The normal power standard is 220V 50Hz single phase.
 Three phase 220/380V/50Hz, 220/440V/60Hz,
 Single phase 230V, 240V, 127V, 110V, 115V/60Hz
 models are available on request.

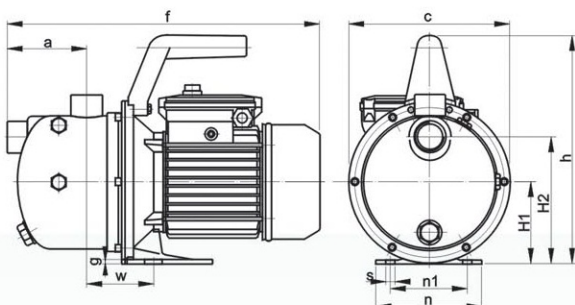


PERFORMANCE CHART AT n=2850r/min



PERFORMANCE DATA

| TYPE | Power | | Absorbed Power kW | R.P.M | Q.Max (l/min) | H.Max (m) | S.Head (m) | Pipe Dia | L×W×H (mm) | N.W (kg) |
|-------------------|-------|------|-------------------|-------|---------------|-----------|------------|----------|-------------|----------|
| | HP | kW | | | | | | | | |
| STANDARD INOX 60 | 0.5 | 0.37 | 0,69 | 2850 | 45 | 38 | 9 | 1"×1" | 410×210×220 | 13.0 |
| STANDARD INOX 80 | 0.75 | 0.55 | 0,8 | | 50 | 45 | | | | 13.5 |
| STANDARD INOX 100 | 1 | 0.75 | 1,1 | | 60 | 48 | | | | 14.1 |



DIMENSIONS

| TYPE | DIMENSIONS(mm) | | | | | | | | | | |
|-------------------|----------------|-----|-----|----|-----|----|----|-----|-----|---|----|
| | a | f | h | H1 | H2 | W1 | W2 | n | n1 | g | s |
| STANDARD INOX 60 | 90 | 380 | 196 | 98 | 152 | 79 | 55 | 182 | 142 | 9 | 11 |
| STANDARD INOX 80 | 90 | 380 | 196 | 98 | 152 | 79 | 55 | 182 | 142 | 9 | 11 |
| STANDARD INOX 100 | 90 | 380 | 196 | 98 | 152 | 79 | 55 | 182 | 142 | 9 | 11 |